

PA PINCH VALVE DN 25 - 300 (DN 1" - 12")

The PA model pinch valve is a heavy-duty enclosed construction full bore valve that employs elastomer sleeves for flow shut-off and control in applications with abrasive and corrosive slurries. The sleeve is the only part in contact with the media, no other mechanical parts are required, and it is a maintenance free part. The PA sleeve design eliminates dead spots where slurry can build up.

Product description:

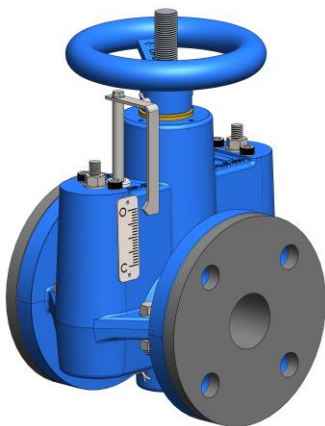
- Enclosed body, bi-directional pinch valve
- Clog resistant 100% full-bore
- Heavy duty sleeve
- Size range from DN 25-300 (DN 1"-12")
- Standard flange connections: EN1092-1 PN10 and ANSI B16.5 (class 150)
- Actuation: Manual, Pneumatic.
Electric actuator & other options upon request

Features:

- Single pinch closing mechanism from DN 25 to DN65 (DN 1" to 2,5")
Double pinch closing mechanism from DN 80 to 300 (DN 3" to 12")
- Sleeve support during opening and closing allows the valve to operate under vacuum conditions
- Easy and quick sleeve replacement. No special tooling needed. Maintenance can be carried out on site
- No head loss
- No packing to maintain
- Body material: ductile iron as standard
- Sleeve material: Natural Rubber and EPDM, other materials available upon request
- RAL-5015 blue epoxy coating on all cast iron / carbon steel components
- Accessories: limit or proximity switches, positioners, solenoid valves, manual overrides, fail safe systems
- Face-to-face as per ANSI B16.10 up to DN 150 (6"), same as B16.10 (class 150) plug/ball/gate valve



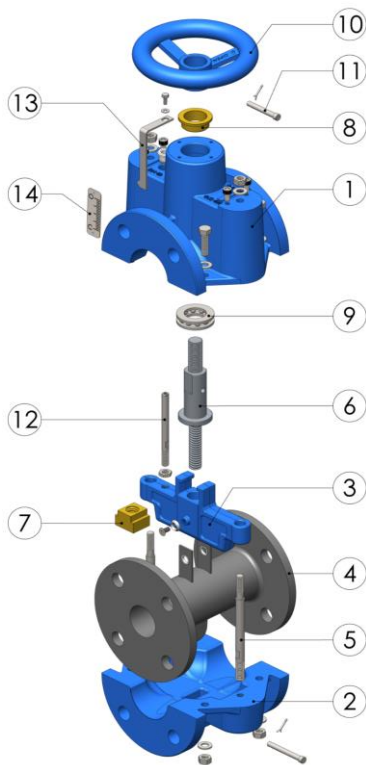
DN 25 - 65 (DN 1" - 2,5")



DN 80 - 300 (DN 3" - 12")

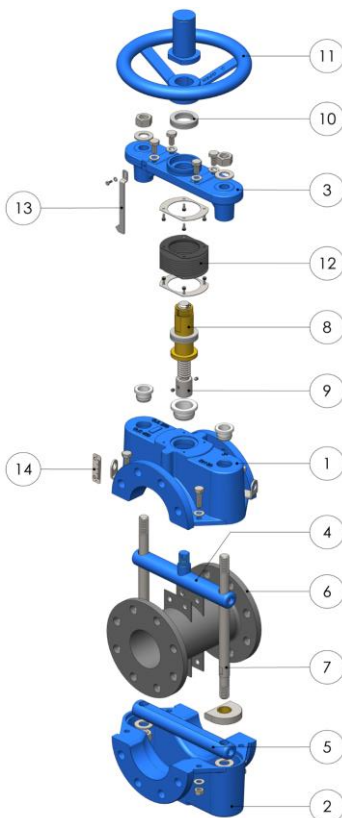


PA PINCH VALVE DN 25 - 300 (DN 1" - 12")



STANDARD PARTS LIST FOR DN 25 - DN 65 (DN 1" - 2,5")

| Part | Materials |
|---------------------|------------------------------|
| 1 Upper body | Ductile iron (EN GJS 400-15) |
| 2 Lower body | Ductile iron (EN GJS 400-15) |
| 3 Pinch bar | ASTM A216 GR. WCB |
| 4 Sleeve | Natural rubber |
| 5 Tie rod | SS 430F |
| 6 Stem | SS 430F |
| 7 Stem nut | Aluminium bronze |
| 8 Stem guidebush | Aluminium bronze |
| 9 Thrust bearing | Mfg Std., |
| 10 Hand wheel | Carbon steel |
| 11 Hand Wheel pin | SS 430F |
| 12 Indicator rod | SS 430F |
| 13 Indicator marker | SS 304 |
| 14 Indicator scale | SS 304 |



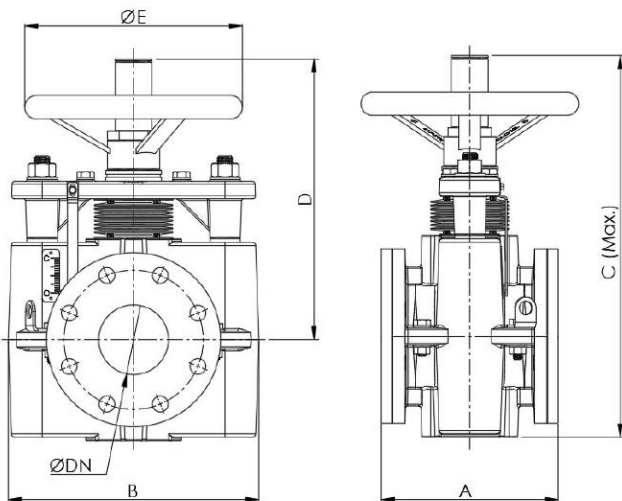
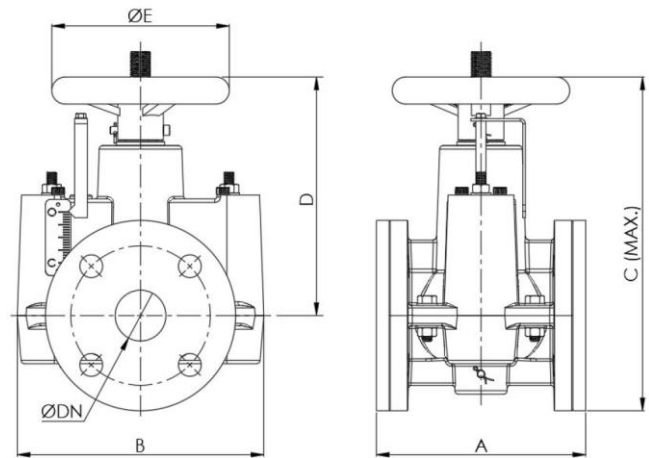
STANDARD PARTS LIST FOR DN 80 - 300 (DN 3" - 12")

| Part | Materials |
|---------------------|------------------------------|
| 1 Upper body | Ductile iron (EN GJS 400-15) |
| 2 Lower body | Ductile iron (EN GJS 400-15) |
| 3 Support | Ductile iron (EN GJS 400-15) |
| 4 Upper pinch bar | Carbon steel A106 Gr. B |
| 5 Lower pinch bar | Carbon steel A106 Gr. B |
| 6 Sleeve | Natural rubber |
| 7 Tie rod | SS 430F |
| 8 Stem nut | Aluminium bronze |
| 9 Lead screw | SS 430F |
| 10 Thrust bearing | Mfg Std., |
| 11 Hand wheel | Carbon steel |
| 12 Bellow | Rexine fabric |
| 13 Indicator marker | SS 304 |
| 14 Indicator scale | SS 304 |

PA PINCH VALVE DN 25 - 300 (DN 1" - 12")

DIMENSIONS (mm) Handwheel

| DN | Working pressure | A | B | C | D | ØE | Weight (kg.) |
|----|------------------|-----|-----|-----|-----|-----|--------------|
| 25 | 10 bar | 140 | 135 | 220 | 160 | 140 | 6 |
| 40 | 10 bar | 165 | 195 | 265 | 190 | 140 | 12 |
| 50 | 10 bar | 178 | 235 | 335 | 250 | 250 | 15 |
| 65 | 10 bar | 190 | 285 | 380 | 290 | 250 | 22 |

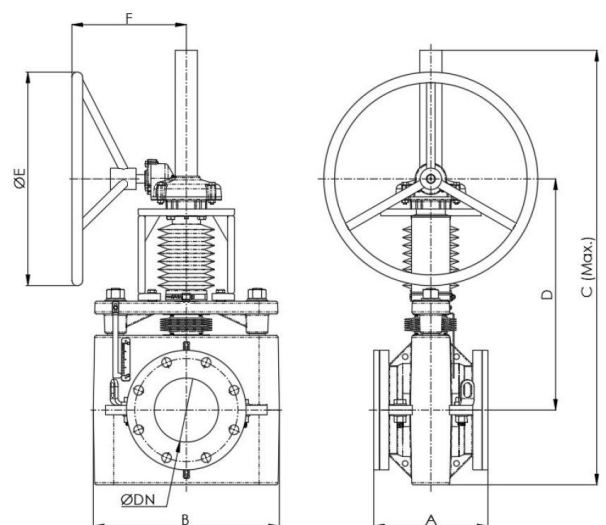


DIMENSIONS (mm) Handwheel

| DN | Working pressure | A | B | C | D | ØE | Weight (kg.) |
|-----|------------------|-----|-----|-----|-----|-----|--------------|
| 80 | 10 bar | 203 | 290 | 490 | 375 | 250 | 30 |
| 100 | 10 bar | 229 | 330 | 580 | 450 | 355 | 41 |
| 125 | 10 bar | 254 | 390 | 670 | 510 | 355 | 60 |

DIMENSIONS (mm) Bevel gear

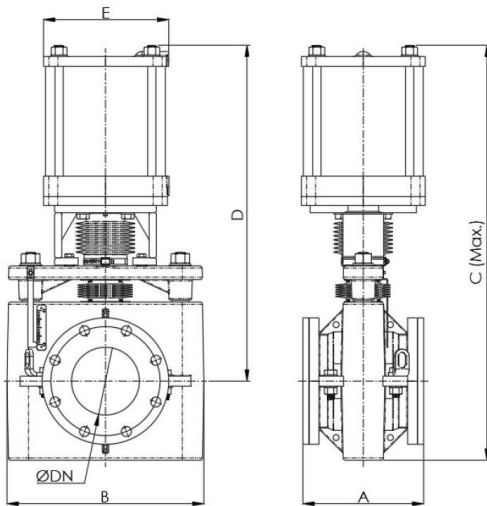
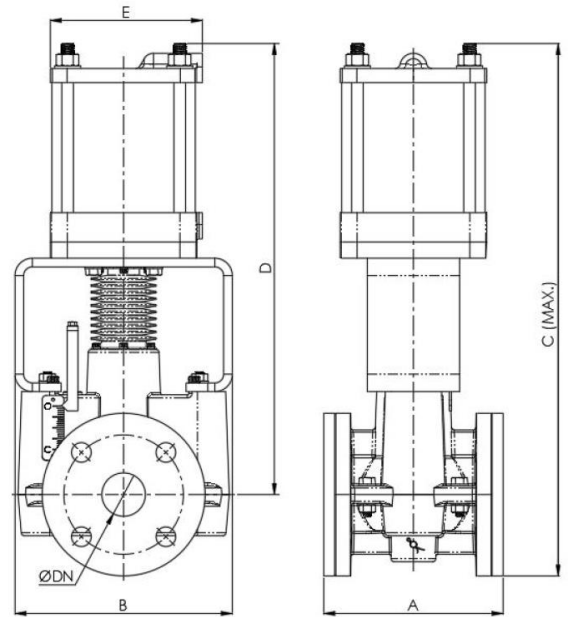
| DN | Working pressure | A | B | C | D | ØE | F | Weight (kg.) |
|-----|------------------|-----|-----|------|-----|-----|-----|--------------|
| 150 | 10 bar | 267 | 435 | 1030 | 645 | 500 | 280 | 115 |
| 200 | 8,5 bar | 406 | 565 | 1280 | 800 | 500 | 280 | 185 |
| 250 | 7 bar | 508 | 755 | 1400 | 820 | 500 | 280 | 285 |
| 300 | 6 bar | 610 | 795 | 1645 | 910 | 400 | 270 | 330 |



PA PINCH VALVE DN 25 - 300 (DN 1" - 12")

DIMENSIONS (mm) Pneumatic Actuator (D/A)

| DN | Working pressure | A | B | C | D | E | Weight (kg.) |
|----|------------------|-----|-----|-----|-----|-----|--------------|
| 25 | 10 bar | 140 | 140 | 415 | 355 | 115 | 10 |
| 40 | 10 bar | 165 | 200 | 505 | 430 | 140 | 15 |
| 50 | 10 bar | 178 | 240 | 555 | 475 | 140 | 25 |
| 65 | 10 bar | 190 | 305 | 635 | 545 | 175 | 39 |



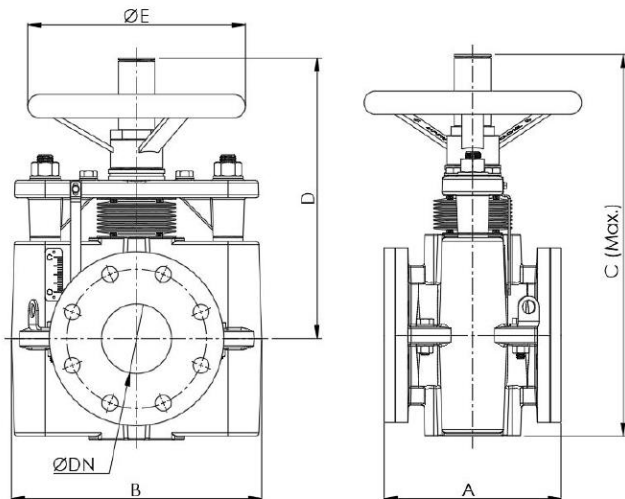
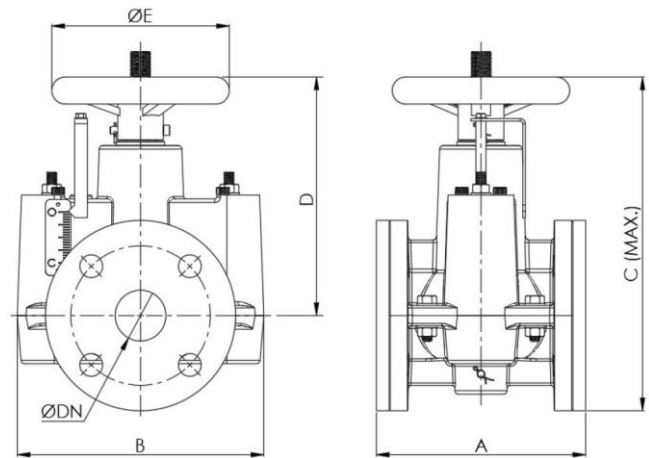
DIMENSIONS (mm) Pneumatic Actuator (D/A)

| DN | Working pressure | A | B | C | D | E | Weight (kg.) |
|-----|------------------|-----|-----|------|------|-----|--------------|
| 80 | 10 bar | 203 | 290 | 735 | 620 | 175 | 50 |
| 100 | 10 bar | 229 | 330 | 805 | 675 | 220 | 70 |
| 125 | 10 bar | 254 | 390 | 950 | 790 | 277 | 90 |
| 150 | 10 bar | 267 | 435 | 1020 | 845 | 277 | 110 |
| 200 | 8.5 bar | 406 | 565 | 1225 | 1005 | 335 | 170 |
| 250 | 7 bar | 508 | 755 | 1490 | 1220 | 390 | 275 |
| 300 | 6 bar | 610 | 795 | 1630 | 1330 | 390 | 350 |

PA PINCH VALVE DN 25 - 300 (DN 1" - 12")

DIMENSIONS (inch) Handwheel

| DN | Working pressure | A | B | C | D | ØE | Weight (lbs) |
|------|------------------|-----|------|------|------|-----|--------------|
| 1" | 150 psi | 5,5 | 5,3 | 8,7 | 6,3 | 5,5 | 13 |
| 1 ½" | 150 psi | 6,5 | 7,7 | 10,4 | 7,5 | 5,5 | 25 |
| 2" | 150 psi | 7 | 9,3 | 13,2 | 9,8 | 9,8 | 33 |
| 2 ½" | 150 psi | 7,5 | 11,2 | 15 | 11,4 | 9,8 | 49 |

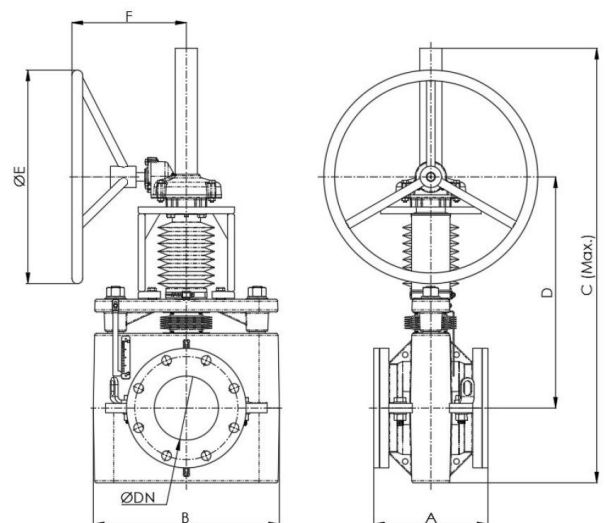


DIMENSIONS (inch) Handwheel

| DN | Working pressure | A | B | C | D | ØE | Weight (lbs) |
|----|------------------|-------|------|------|------|------|--------------|
| 3" | 150 psi | 8,00 | 11,4 | 19,3 | 14,8 | 9,8 | 66 |
| 4" | 150 psi | 9,00 | 13,0 | 22,8 | 17,7 | 14,0 | 90 |
| 5" | 150 psi | 10,00 | 15,4 | 26,4 | 20,1 | 14,0 | 132 |

DIMENSIONS (inch) Bevel gear

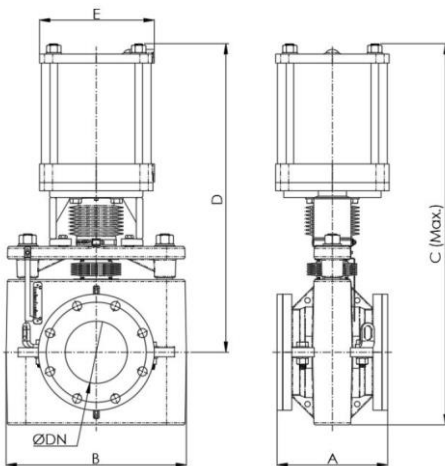
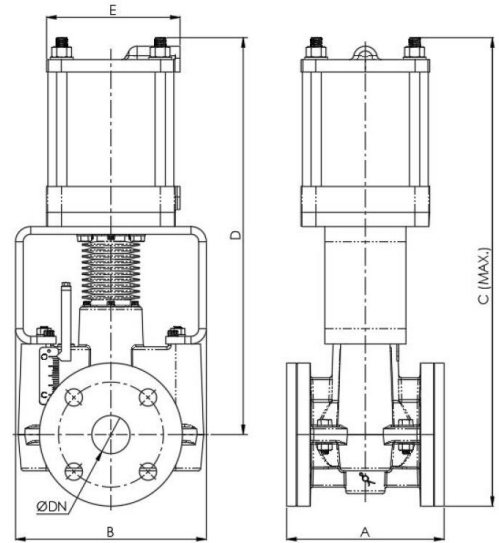
| DN | Working pressure | A | B | C | D | ØE | F | Weight (lbs) |
|-----|------------------|------|------|------|------|------|------|--------------|
| 6" | 150 psi | 10,5 | 17,1 | 40,6 | 25,4 | 19,7 | 11,0 | 254 |
| 8" | 125 psi | 16,0 | 22,2 | 50,4 | 31,5 | 19,7 | 11,0 | 408 |
| 10" | 100 psi | 20,0 | 29,7 | 55,1 | 32,3 | 19,7 | 11,0 | 628 |
| 12" | 87 psi | 24,0 | 31,3 | 64,8 | 35,8 | 15,7 | 10,6 | 728 |



PA PINCH VALVE DN 25 - 300 (DN 1" - 12")

DIMENSIONS (inch) Pneumatic Actuator (D/A)

| DN | Working pressure | A | B | C | D | E | Weight (lbs) |
|--------|------------------|-----|------|------|------|-----|--------------|
| 1" | 150 psi | 5,5 | 5,5 | 16,3 | 14,0 | 4,5 | 21 |
| 1 1/2" | 150 psi | 6,5 | 7,9 | 19,9 | 16,9 | 5,5 | 32 |
| 2" | 150 psi | 7 | 9,4 | 21,9 | 18,7 | 5,5 | 54 |
| 2 1/2" | 150 psi | 7,5 | 12,0 | 25,0 | 21,5 | 6,9 | 85 |



DIMENSIONS (inch) Pneumatic Actuator (D/A)

| DN | Working pressure | A | B | C | D | E | Weight (lbs) |
|-----|------------------|------|-------|------|------|------|--------------|
| 3" | 150 psi | 8,0 | 11,4 | 28,9 | 24,4 | 6,9 | 110 |
| 4" | 150 psi | 9,0 | 13,00 | 31,7 | 26,6 | 8,7 | 154 |
| 5" | 150 psi | 10,0 | 15,4 | 37,4 | 31,1 | 10,9 | 198 |
| 6" | 150 psi | 10,5 | 17,1 | 40,2 | 33,3 | 10,9 | 243 |
| 8" | 125 psi | 16,0 | 22,2 | 48,2 | 39,6 | 13,2 | 375 |
| 10" | 100 psi | 20,0 | 29,7 | 58,7 | 48,0 | 15,4 | 606 |
| 12" | 87 psi | 24,0 | 31,3 | 64,2 | 52,4 | 15,4 | 772 |