

Model 3/4V

3 & 4 WAY DIVERTER VALVES

The 3V and 4V models are diverter valves designed to handle solid loaded fluids. Mainly used for pulp stock in the Pulp and Paper industry.

Sizes

DN 80 to DN 300
Larger diameters on request

Working pressure and temperatures

DN 80 to DN200: 10 bar
DN 250: 8 bar
DN 300: 6 bar

GJL250: -10°C / 80°C
CF8M: -20°C / 80°C

Standard flange drilling

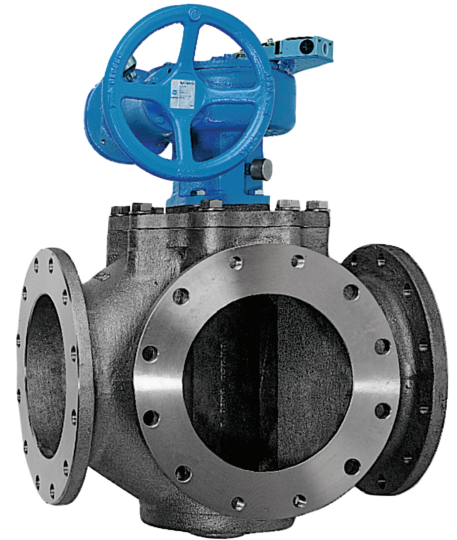
EN-1092 PN10
ASME B16.5 (class 150)
Other flange drillings available on request

Directives

For EU Directives and other Certificates please see the document: Directives & Certificates Compliance - Knife Gate Valves –Catalogues and Datasheets

Testing

All valves are tested prior to shipping in accordance with the standard EN-12266-1



STANDARD PARTS LIST

Part	Description
1 Body	EN-GJL250 / CF8M ¹
2 Cover	EN-GJL250 / CF8M ¹
3 Plug	AISI 304 / AISI 316 ¹
4 Seat	Metal/Metal

¹ Stainless steel configuration

DESIGN FEATURES

Body

Cast monoblock design with reinforced ribs in larger diameters for extra body strength. Internal design avoids any build up of solids that would prevent valve from closing

Plug

Cast machined stainless steel ensures tight shut-off to the pulp with consistency equal or higher than 4%. Guided by a nylon bearing, designed to avoid jamming, permits several positions, including central passage in some models

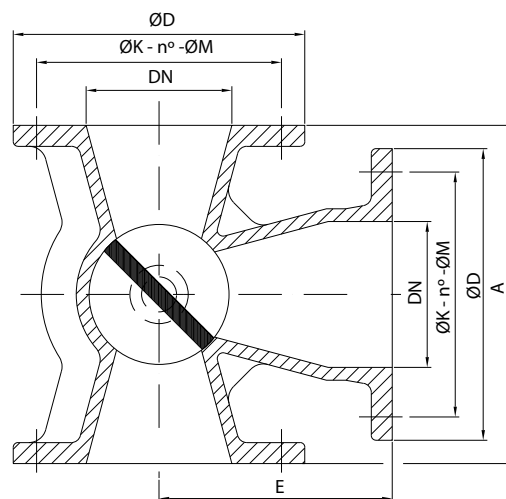
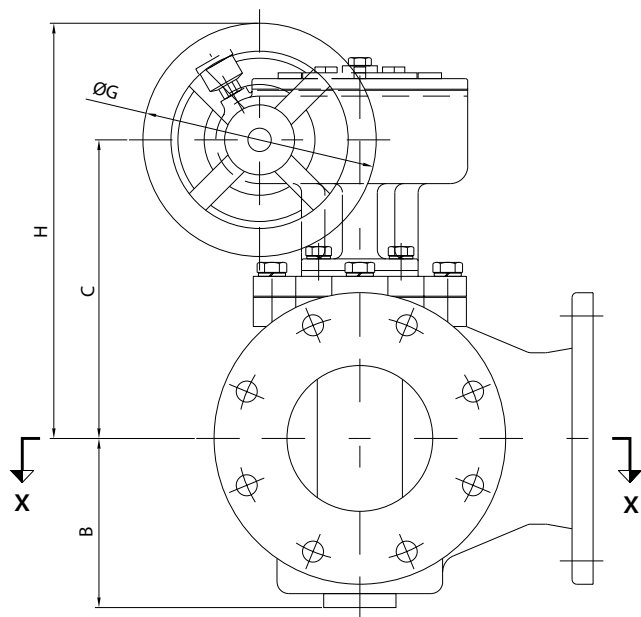
Epoxy coating

The Epoxy coating on all ORBINOX cast iron and carbon steel valve bodies and components are electrostatically applied making the valves to be corrosion resistant with a high quality finished surface. The ORBINOX standard colour is RAL-5015 blue

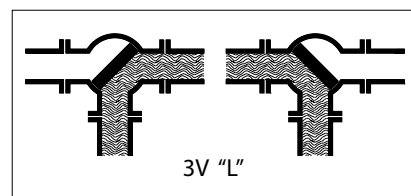
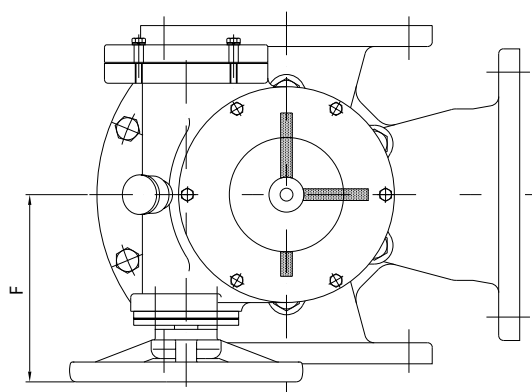
Other materials

RILSAN coating and other materials (carbon steel, stainless steels, special alloys,...) for body and plug are available on request

3V "L"

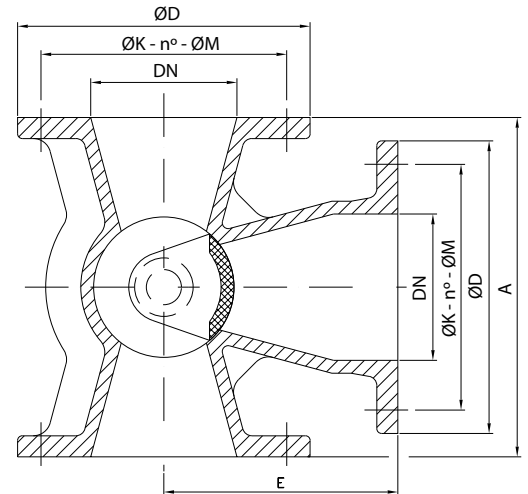
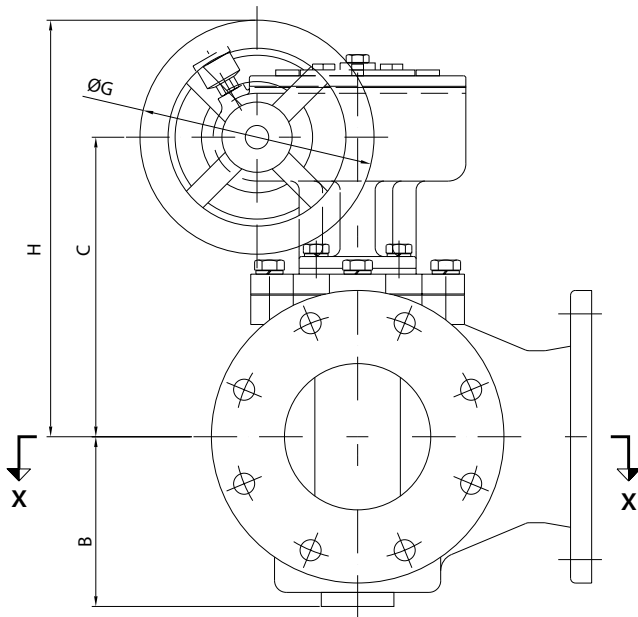


SECTION X-X

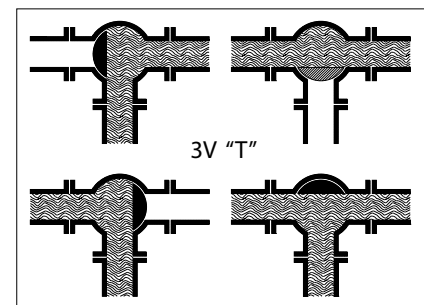
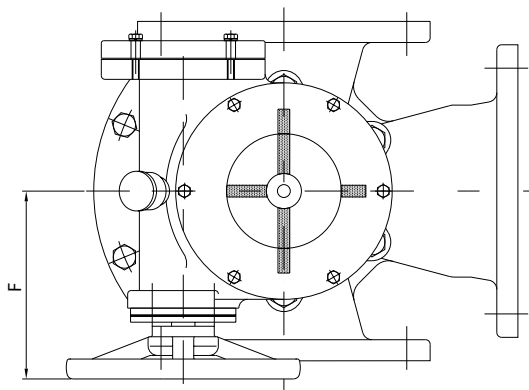


DN	A	B	C	ØD	E	F	ØG	H
100	250	128	250	220	162,5	192	225	350
125	290	145	265	250	200	192	225	365
150	290	165	285	285	200	192	225	385
200	345	210	335	340	225	192	225	435
250	415	250	425	395	272,5	180	225	550
300	470	294	450	445	287,5	180	225	575

3V "T"



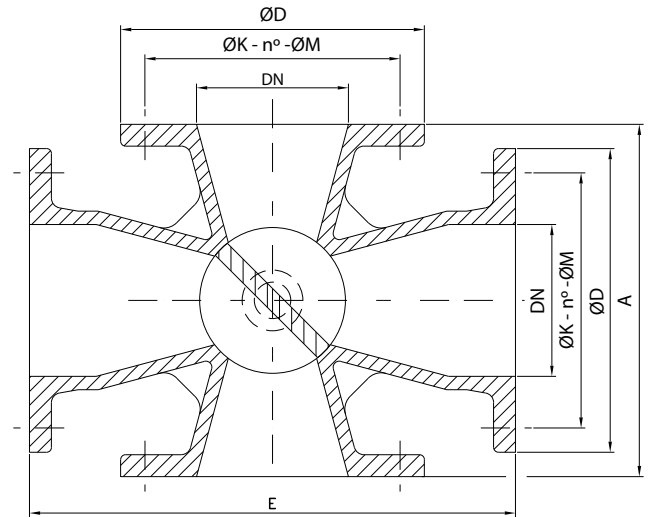
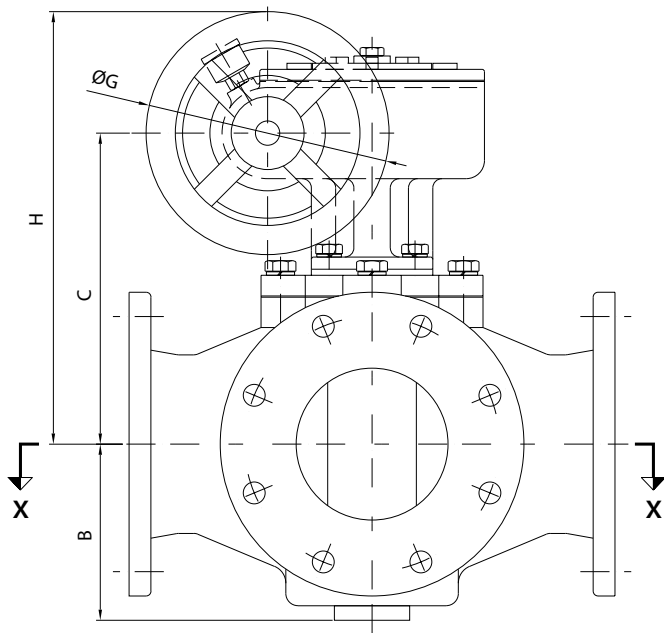
SECTION X-X



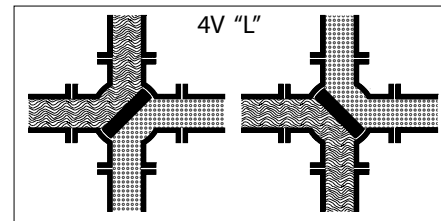
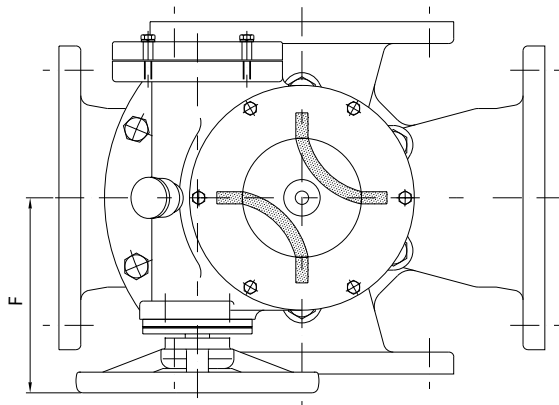
DN	A	B	C	ØD	E	F	ØG	H
100	250	128	250	220	162,5	192	225	350
125	290	145	265	250	200	192	225	365
150	290	165	285	285	200	192	225	385
200	345	210	335	340	225	192	225	435
250	415	250	425	395	272,5	180	225	550
300*	470	294	450	445	287,5	180	225	575

* Not available in stainless steel

4V "L"

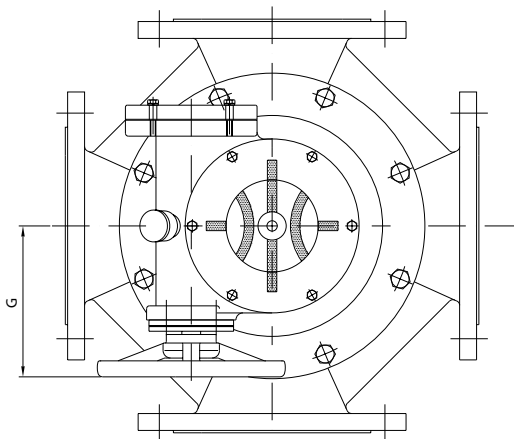
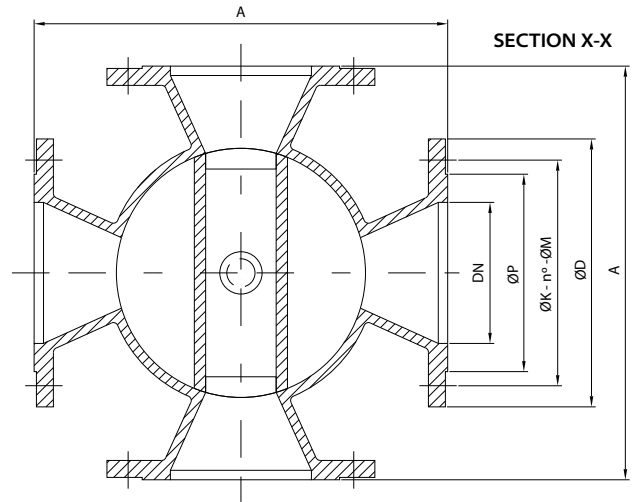
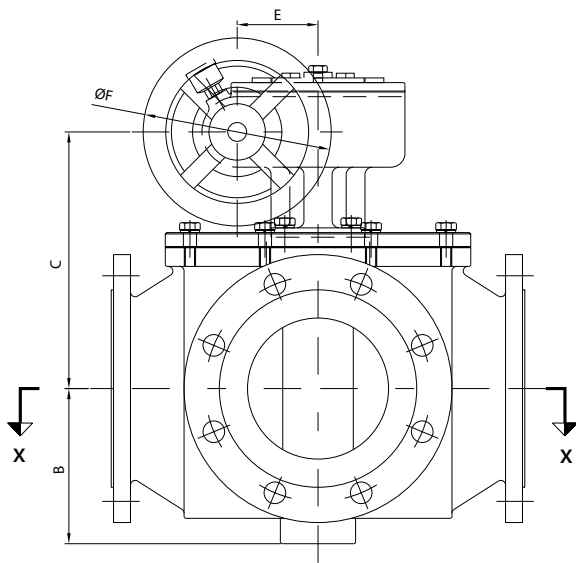


SECTION X-X



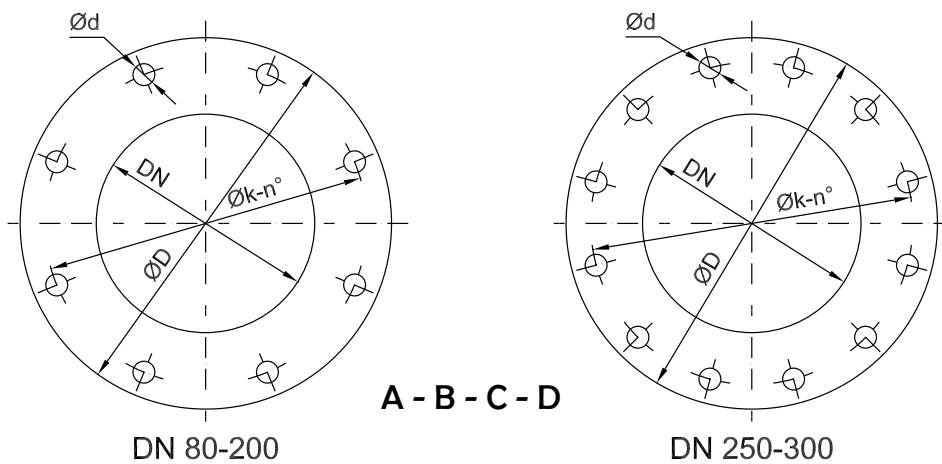
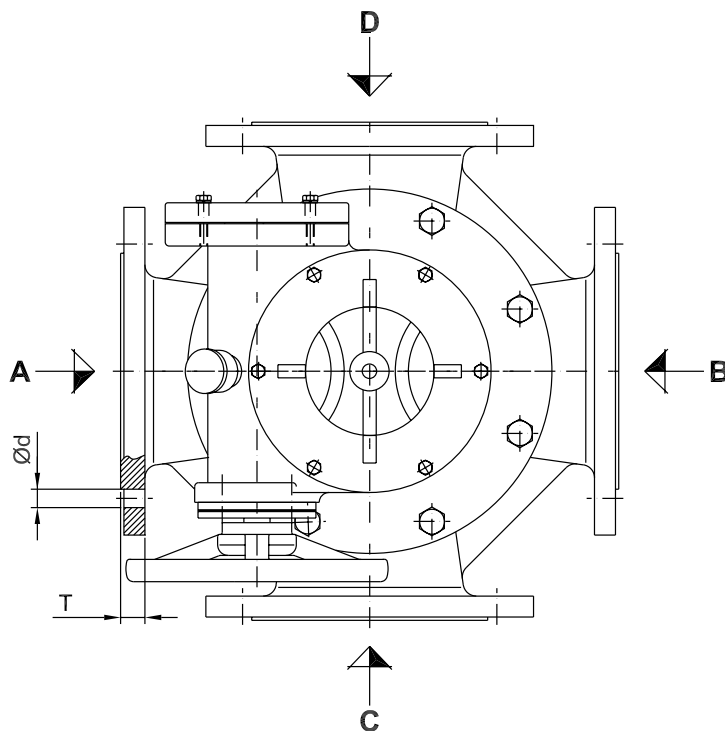
DN	A	B	C	ØD	E	F	ØG	H
100	250	128	250	220	325	192	225	350
125	290	145	265	250	400	192	225	365
150	290	165	285	285	400	192	225	385
200	345	210	335	340	450	192	225	435
250	415	250	425	395	545	180	225	550

4V "B"



DN	A	B	C	ØD	E	ØF	G	ØP
80	280	105	221	200	86	225	192	132
100	330	128	232	220	86	225	192	152
125	380	145	261	250	86	225	192	180
150	440	165	273	285	86	225	262	210
200	550	204	312	340	86	225	262	250

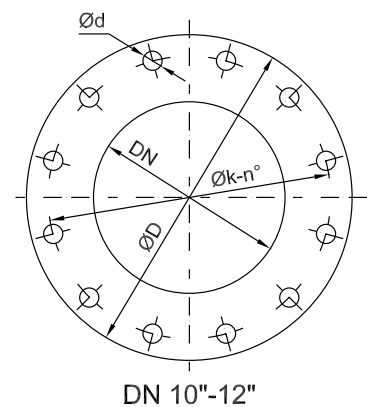
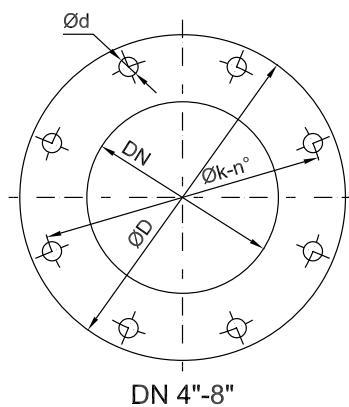
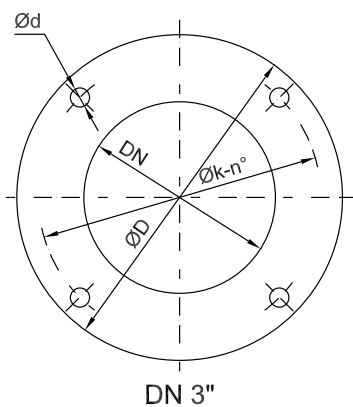
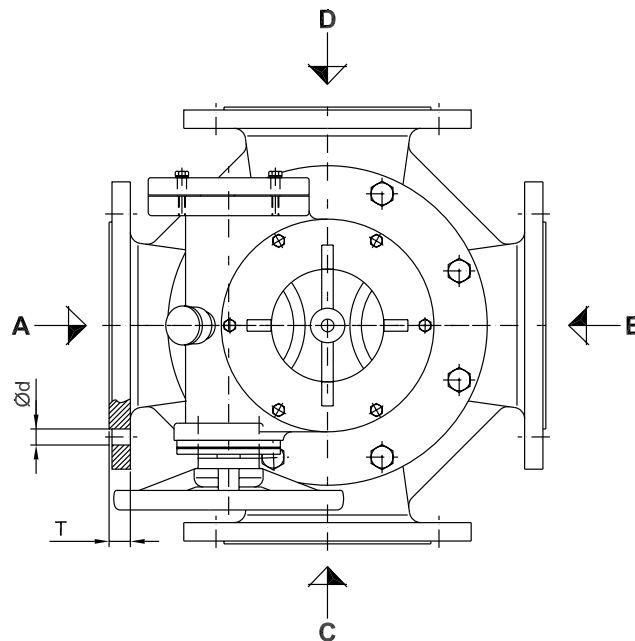
FLANGE AND BOLTING DETAILS TYPE "B" EN-1092 PN10



THROUGHGOING BOLTS

DN	D	K	n°	Ød	T
80	200	160	8	18	15
100	220	180	8	18	18
125	250	210	8	18	20
150	285	240	8	23	20
200	340	295	8	23	20
250	395	350	12	23	20
300	445	400	12	23	22

FLANGE AND BOLTING DETAILS TYPE "B" ASME B16.5, CLASE 150

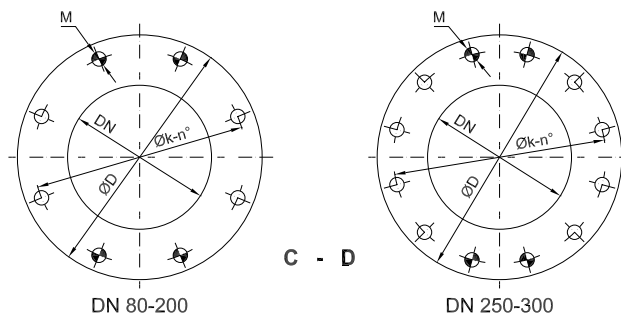
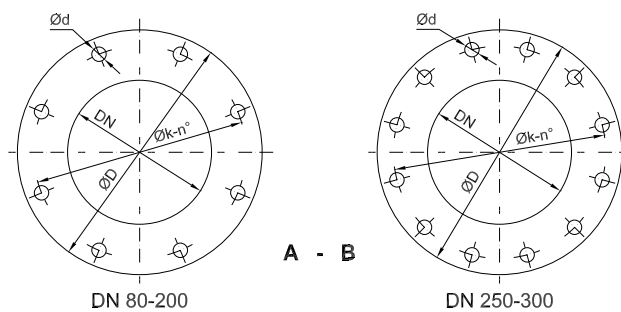
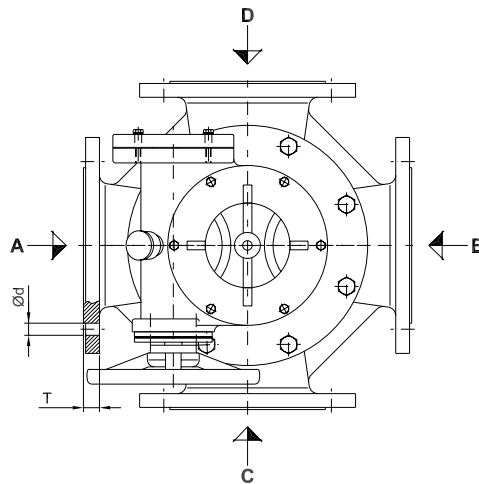


A - B - C - D

THROUGHGOING BOLTS

DN	D	K	n°	Ød	T
3"	191	152,5	4	18	15
4"	229	190,5	8	18	18
5"	254	216	8	22	20
6"	279	241,5	8	22	20
8"	343	298,5	8	22	20
10"	406	362	12	25	20
12"	483	432	12	25	22

FLANGE AND BOLTING DETAILS TYPE "L"/"T" EN-1092 PN10



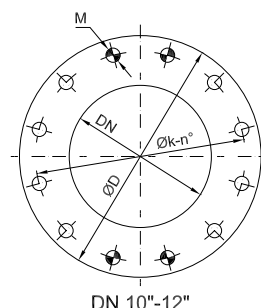
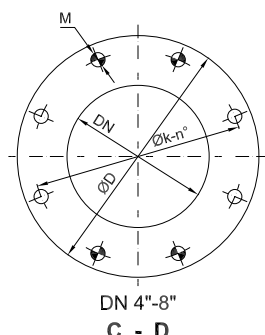
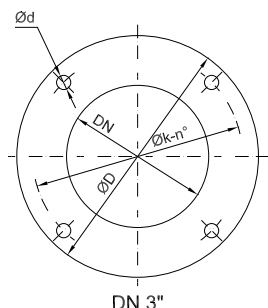
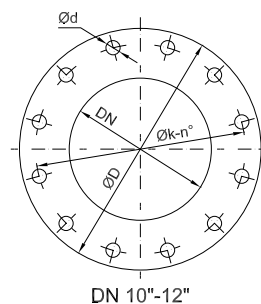
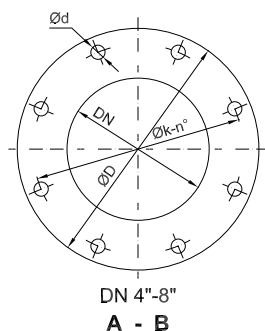
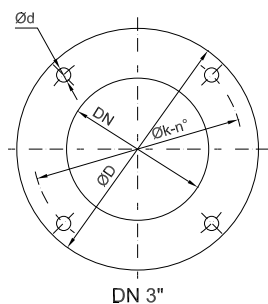
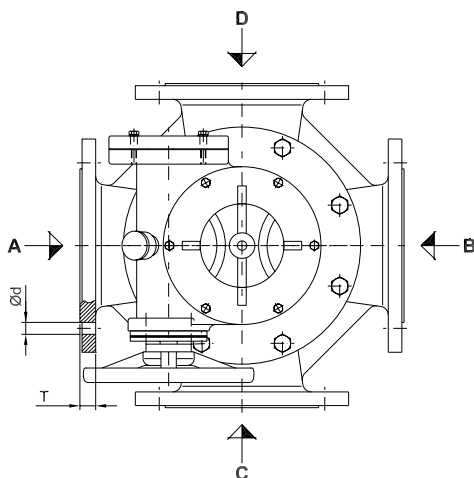
TAPPED THROUGH



THROUGHGOING BOLTS

DN	D	K	n°	Ød	M	T
80	200	160	8	18	M-16	15
100	220	180	8	18	M-16	18
125	250	210	8	18	M-16	20
150	285	240	8	23	M-20	20
200	340	295	8	23	M-20	20
250	395	350	12	23	M-20	20
300	445	400	12	23	M-20	22

FLANGE AND BOLTING DETAILS TYPE "L"/"T" ASME B16.5, CLASE 150



TAPPED THROUGH



THROUGHGOING BOLTS

DN	D	K	n°	Ød	M	T
3"	191	152,5	4	18	5/8" - 11 UNC	15
4"	229	190,5	8	18	5/8" - 11 UNC	18
5"	254	216	8	22	3/4" - 10 UNC	20
6"	279	241,5	8	22	3/4" - 10 UNC	20
8"	343	298,5	8	22	3/4" - 10 UNC	20
10"	406	362	12	25	7/8" - 9 UNC	20
12"	483	432	12	25	7/8" - 9 UNC	22